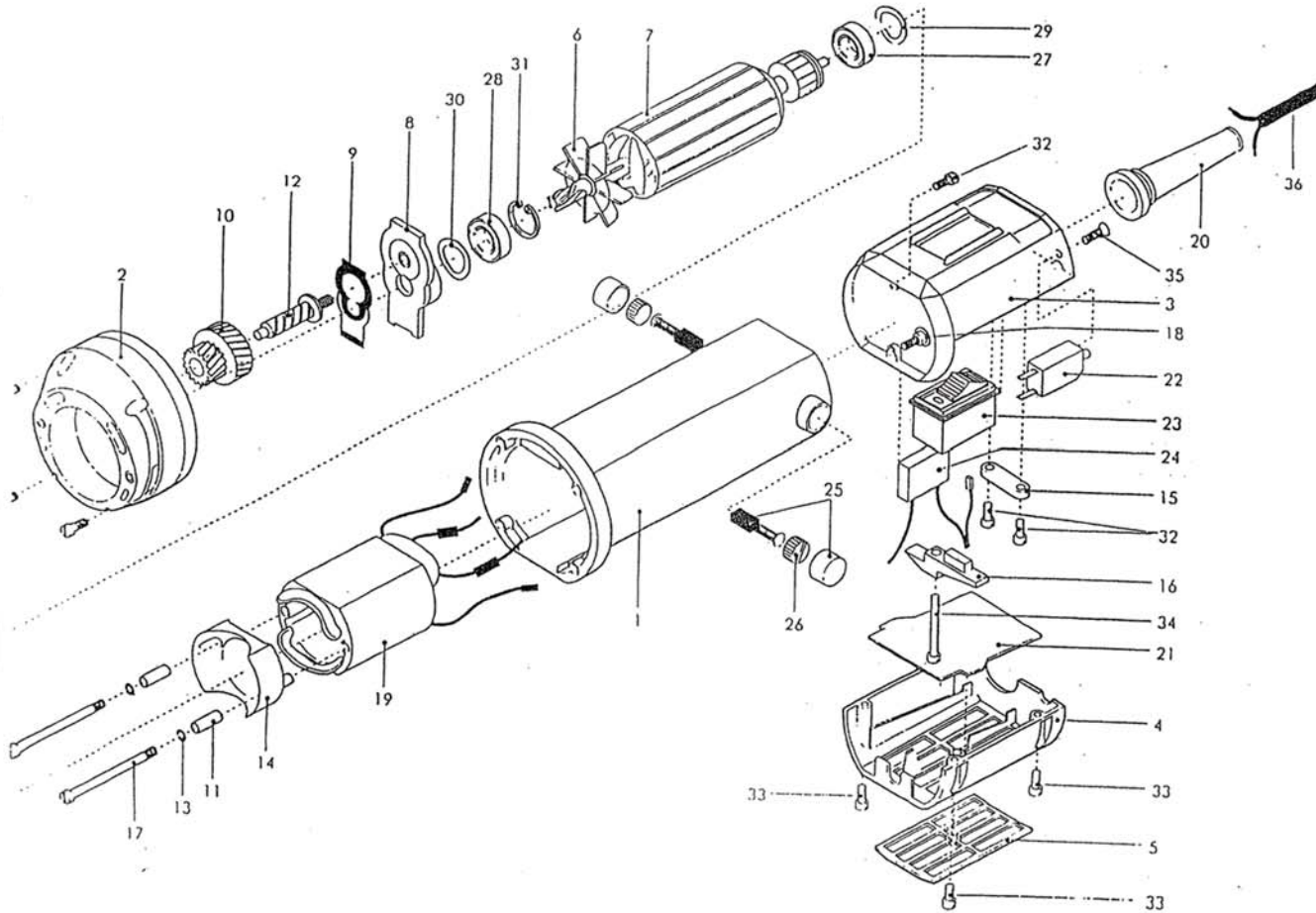


Motor for ANDIS #68015 LG-C Cattle and Horse &  
ANDIS #68000 LG-S Heavy Duty Sheap Shearer



Pos.	Item #	Description
1	701-601	Motor housing Mod 84 black Heiniger
2	701-602	Gear box Mod 84 black
3	701-603	Switch housing Mod 84 upper black
4	701-605	Switch housing under 84/HC/12V black
5	701-607	Filter complete black
6	701-608	Fan wheel Mod 84
7	701-625	Rotor Mod 84 Complete 120V
8	701-610	Centering Piece
9	701-612	Seal
10	701-613	Gear 21/12 teeth
11	701-614	Distance bush
12	701-615	Spindle
13	701-616	Washer M3
14	701-617	Air stream leading piece
15	701-671	Cable grip for USA/GB/12V cord
16	701-619	Switch grip
17	701-620	Fillister head screw M 3 x 72,5
18	701-621	Retaining screw
19	701-629	Stator Mod 84 Complete 120 V
20	712-111	Cable sleeve for USA/GB/12V
21	701-627	Dust cover
22	701-676	Overload security switch 1.8 A
23	701-631	Main switch
24	701-669	Capacitor 0, 15UF Mod 84 120 V
25	701-633	Brush with spring and protection cap
26	701-634	Brush cap
27	701-635	Ball-bearing 626 ZZ
28	701-636	Ball-bearing 608 ZZ
29	701-637	Spring disc 626
30	701-638	Spring disc 608
31	701-639	Circlip J 22
32	701-640	Fillister head screw M 3,5 x 8
33	701-641	Fillister head screw M 3 x 6
34	701-642	Fillister head screw M 3 x 25
35	701-643	PT screw KA 25 x 6
36	701-679	Cable with plug USA